

HIP-MITSU

Low speed CALANDER, WEB-COATERS and LINES using hot melt adhesives



HIP-MITSU, an Italian company headquartered 15 minutes from the international Venice and Treviso airports, is one of the most qualified producers of *web-coating and laminating equipment*, in which field it has operated in for many years.

Specialisation and steady research

In particular, the high specialisation in the production of coating heads and the steady research in the product innovation are well testified by many international patents belonging to the company.

A complete range

HIP-MITSU offers a complete range of calenders and web-coaters produced according to high standards, both for low process speed - described in the present brochure - and high speed.

Industrial application fields

HIP-MITSU calenders and web-coaters are compatible with all kinds of winders and rewinders available on the market and find large application both in "OFF-LINE" as well as "IN-LINE" coating/laminating lines.

Easy to be installed

The standard configuration of HIP-MITSU calenders and web-coaters includes foundation plates made of steel, complete with anchor bolts and levelling screws, and hooks in order to always enable a safe handling and a quick and easy installation.

Motorizations and plant engineering

HIP-MITSU calenders and web-coaters can be equipped with one or more independent motorizations. According to the lay-out and the engineering of the line where they are installed, HIP-MITSU calenders and web-coaters can be used both in "master" as well as "slave" mode. The independent machine control panel is positioned in order to facilitate the machines operations.

All air and electro-air devices are collected in a special fuse box where all technical channelling to the machine facilities starts from, in order to get particularly clean plant engineering.

Conventional devices to be installed

According to the processing to be realized, HIP-MITSU calenders and web-coaters can be equipped and configured with all conventional devices indicated in the following paragraphs.



Synchronized stands for HIP-MITSU devices

All HIP-MITSU calenders and web-coaters are pre-arranged for the installation of the slot die dedicated stands a/ o HIP-MITSU "Contact-Less" devices.

The stands, equipped with independent precision mechanical adjusting devices, are also complete with the devices and electrical checks for setting the coating/laminating and the auxiliary operations and include a stand-by and a working position that can be synchronized with the main line.

Finally the stands provide to a maintenance working position enabling an easy access to the coating heads or to the "Contact-Less" devices without removing them from the line.

High quality standards

HIP-MITSU calenders and web-coaters are built using the most advanced technologies and the most reliable components.

The systematic application of precise and detailed control plans ensures the realization of all machines according to the projects standards.

They are always built with a solid structure, in order to give no vibrations.

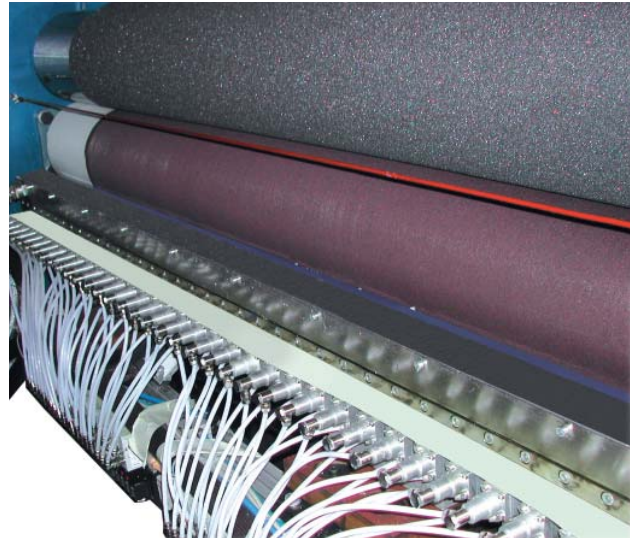
Reliability and reduced maintenance

Moreover design and raw materials guarantee a high reliability in its lifetime in any working condition and a meaningful reduction of the line maintenance.

Calendering rolls

HIP-MITSU calenders and web-coater can be equipped with the following calendering rolls:

- water-cooled rolls with right or left injection of the refrigerating fluid, available in several models according to the specific use
- heated rolls with right or left injection of the heating fluid, available in several models according to the specific use
- rubberised rolls with dedicated materials for a long life
- rolls with special coating

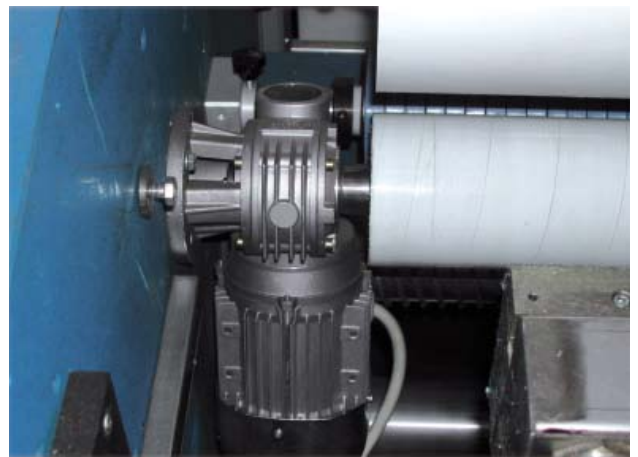


Calendering rolls

Auxiliary rolls

HIP-MITSU calenders and web-coaters can be equipped with the following types of auxiliary rolls:

- stretchers
- brake cylinders
- banana



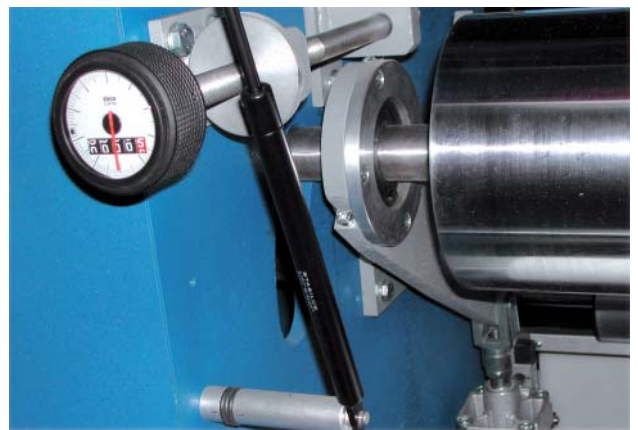
Auxiliary rolls

Gap regulation

HIP-MITSU calenders and web-coaters can be equipped with mechanical or servo-assisted devices for the gap regulation.

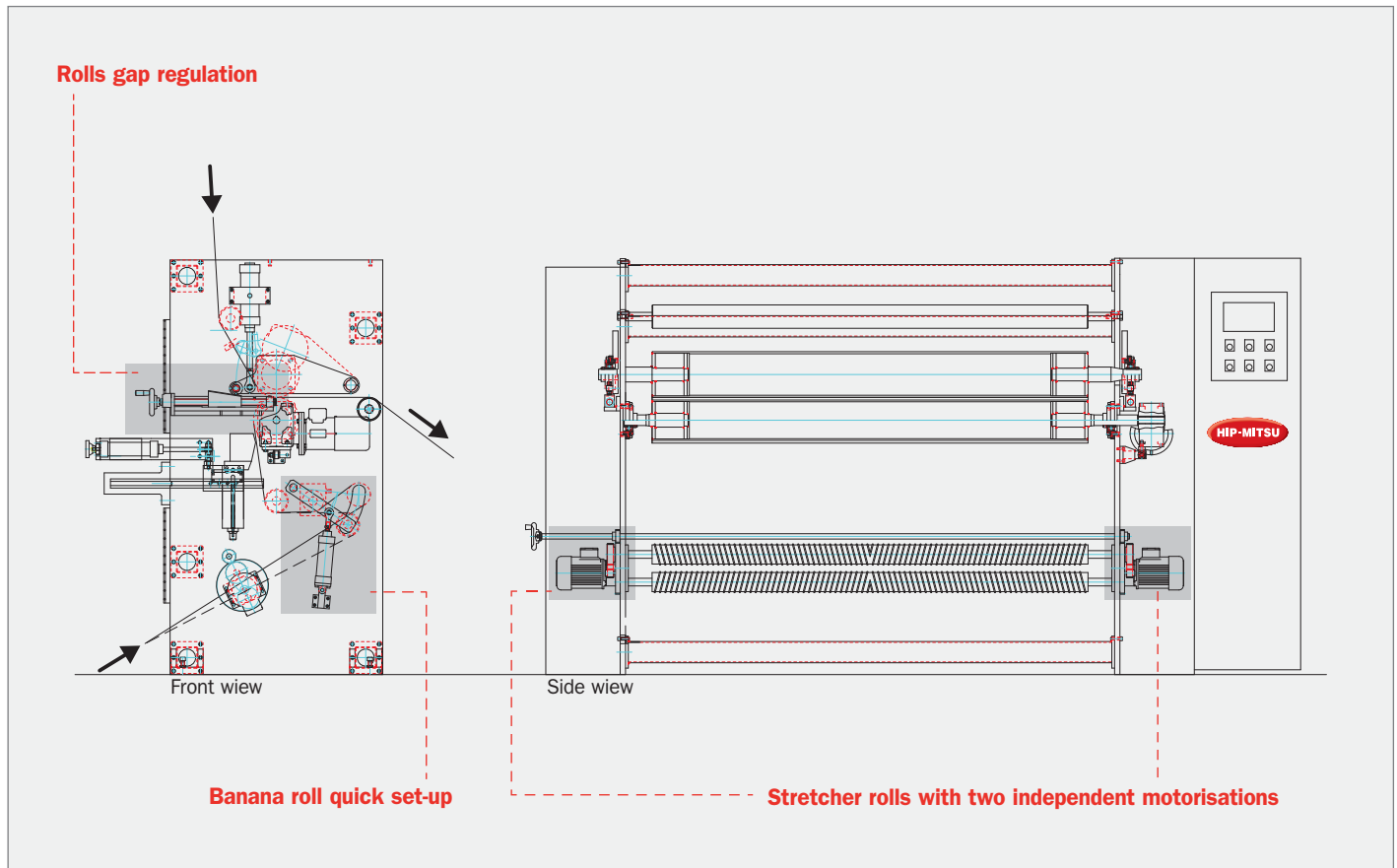
Calendering pressure regulation

All HIP-MITSU calenders and web-coater enable an easy regulation of the calendering pressure. If needed an additional module can be included to give a floating position of the roller.



Gap regulation

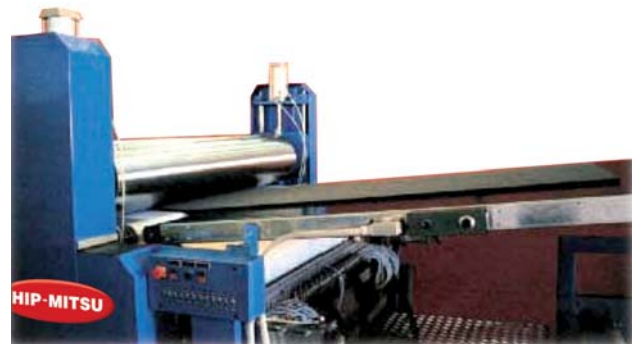
TOP configuration



Board and sheet materials webcoating/laminating

All HIP-MITSU calenders and web-coaters can be equipped with a belt conveyor which can run continuously and with stop/start, enabling the coating and lamination of materials in boards and sheets.

They are provided with special fixing plates and lifting hooks and can be quickly removed or located according to the conversion needed.



Board and sheet materials webcoating/laminating

“Hyper-Coater” and “Hyper-Laminator”: customized solutions for new or existing lines integrations

The HIP-MITSU “Hyper-Coater” and “Hyper-Laminator” models enable to easily integrate both existing and new lines with the HIP-MITSU coating and laminating application technologies.

They are customized and planned each time ad-hoc, enabling to transfer to the final user well-tested solutions and to reduce plant integration times and costs.



Hyper-Coater

Easy integration to all line machines

They are built according to plant engineering solutions, which are based on international standards and can easily be integrated to the other line machines.

Control systems

The wide range of HIP-MITSU control systems enable an easy User Friendly and integrated management of the machine, with different performance levels according to the operation needs.



Main technical data

The operative ranges into which HIP-MITSU calenders and Web-Coaters are :

Min. Working width	100 mm
Max. Working width	3.600 mm
Min. process speed	2 m/min
Max. process speed	80 m/min
Treading speed	2 m/min
Motor	right or left side
Drive system	AC motor
Motor	IP 55, where required forced air circulation
Supply voltage	380 V three-phase 50 Hz+neutral+ground or according to the customer request
Auxiliary voltage	24 V
Drive side	left or right according to the product flow
Pneumatic source	6 Bar - clean and dry compressed air
Structure painting	standard MITSU or under customer's specifications



add value to your production

HEAD OFFICE

I - 31027 SPRESIANO (TV) Italy - Via A. Volta, 1
Tel. + 39 0422 887.566 r.a. - Fax + 39 0422 887.337 - <http://www.hip-mitsu.com> e-mail: info@hip-mitsu.com